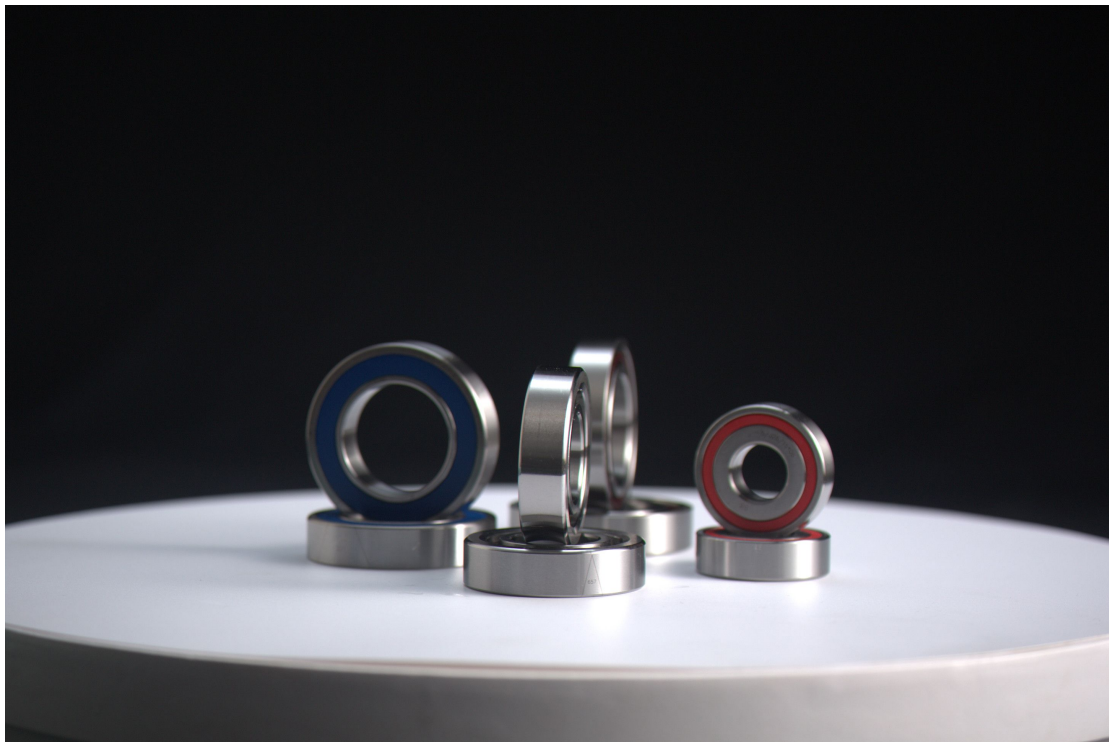


Luoyang Bearing Research Institute Co., Ltd.

ZYS

ZYS 718, 719, 70, 72 series

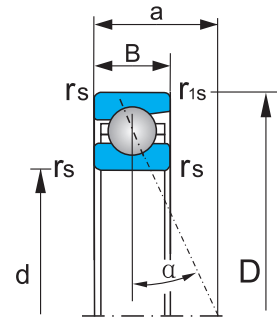
angular contact ball bearing



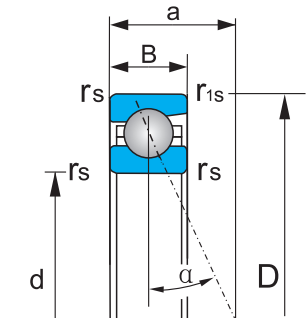
Website: www.zys-bearing.com/www.zysbearing.com
E-mail: zysdong@gmail.com/robertdong@zys.com.cn
Tel: + 86-379-6488 1209
Luoyang City, Henan Province, China

Add: No.1 Jilin Road,

High-speed angular contact ball bearings
 718 C
 Contact Angle $\alpha=15^\circ$
 718 AC
 Contact angle $\alpha=25^\circ$



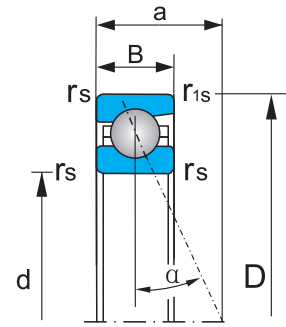
High-speed angular contact ball bearings
 718 C
 Contact Angle $\alpha=15^\circ$
 718 AC
 Contact angle $\alpha=25^\circ$



Bearing designations ZYS	Boundary dimensions						Load rating		Limiting speed		Weight kg
	d	D	B	r _{smin}	r _{1smin}	a	C _r	C _{or}	Grease	Oil	
	mm					≈	KN		r/min		
71800 C	10	19	5	0.30	0.10	4	1.8	1.1	75000	120000	0.005
71800 AC	10	19	5	0.30	0.10	6	1.7	1.1	70000	110000	0.005
71801 C	12	21	5	0.30	0.10	5	2.0	1.4	70000	110000	0.006
71801 AC	12	21	5	0.30	0.10	6	1.9	1.3	63000	95000	0.006
71802 C	15	24	5	0.30	0.10	5	2.2	1.8	60000	90000	0.007
71802 AC	15	24	5	0.30	0.10	7	2.1	1.7	53000	80000	0.007
71803 C	17	26	5	0.30	0.10	5	2.3	1.9	53000	80000	0.008
71803 AC	17	26	5	0.30	0.10	7	2.1	1.8	50000	75000	0.008
71804 C	20	32	7	0.30	0.10	7	3.9	3.4	45000	67000	0.018
71804 AC	20	32	7	0.30	0.10	9	3.7	3.2	40000	60000	0.018
71805 C	25	37	7	0.30	0.15	8	4.2	4.1	38000	56000	0.022
71805 AC	25	37	7	0.30	0.15	11	3.9	3.9	34000	50000	0.022
71806 C	30	42	7	0.30	0.15	8	4.4	4.8	32000	48000	0.025
71806 AC	30	42	7	0.30	0.15	12	4.1	4.5	28000	43000	0.025
71807 C	35	47	7	0.30	0.15	9	4.6	5.5	26000	40000	0.029
71807 AC	35	47	7	0.30	0.15	13	4.3	5.2	24000	38000	0.029
71808 C	40	52	7	0.30	0.15	10	4.8	6.2	24000	38000	0.032
71808 AC	40	52	7	0.30	0.15	14	4.5	5.8	20000	34000	0.032
71809 C	45	58	7	0.30	0.15	10	4.9	6.7	20000	34000	0.040
71809 AC	45	58	7	0.30	0.15	14	4.6	6.3	18000	30000	0.040
71810 C	50	65	7	0.30	0.15	11	7.4	10.0	18000	30000	0.052
71810 AC	50	65	7	0.30	0.15	17	6.9	9.5	16000	26000	0.052
71811 C	55	72	9	0.30	0.15	13	10.2	13.8	16000	26000	0.081
71811 AC	55	72	9	0.30	0.15	19	9.6	13.1	15000	24000	0.081
71812 C	60	78	10	0.30	0.15	14	13.4	18.0	15000	24000	0.100
71812 AC	60	78	10	0.30	0.15	21	12.6	17.0	14000	22000	0.100
71813 C	65	85	10	0.60	0.15	15	13.4	18.8	14000	22000	0.125
71813 AC	65	85	10	0.60	0.15	22	12.6	17.8	13000	20000	0.125

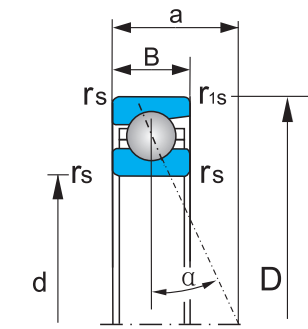
Bearing designations ZYS	Boundary dimensions						Load rating		Limiting speed		Weight kg
	d	D	B	r _{smin}	r _{1smin}	a	C _r	C _{or}	Grease	Oil	
	mm					≈	KN		r/min		
71814 C	70	90	10	0.60	0.15	16	13.8	20.3	13000	20000	0.133
71814 AC	70	90	10	0.60	0.15	24	13.0	19.1	12000	19000	0.133
71815 C	75	95	10	0.60	0.15	16	14.2	21.7	12000	19000	0.142
71815 AC	75	95	10	0.60	0.15	25	13.3	20.5	11000	18000	0.142
71816 C	80	100	10	0.60	0.15	17	14.5	23.1	11000	18000	0.150
71816 AC	80	100	10	0.60	0.15	26	13.6	21.8	9500	16000	0.150
71817 C	85	110	13	1.00	0.30	20	21.5	32.2	10000	17000	0.262
71817 AC	85	110	13	1.00	0.30	29	20.2	30.5	9000	15000	0.262
71818C	90	115	13	1.00	0.30	20	21.7	33.5	9500	16000	0.274
71818AC	90	115	13	1.00	0.30	30	20.4	31.6	8500	14000	0.274
71819C	95	120	13	1.00	0.30	21	21.9	34.7	9000	15000	0.287
71819AC	95	120	13	1.00	0.30	32	20.6	32.8	8500	14000	0.287
71820C	100	125	13	1.00	0.30	22	22.5	37.0	8500	14000	0.301
71820AC	100	125	13	1.00	0.30	33	21.2	34.9	8000	13000	0.301
71821C	105	130	13	1.00	0.30	22	22.7	38.3	8500	14000	0.314
71821AC	105	130	13	1.00	0.30	34	21.3	36.1	8000	13000	0.314
71822C	110	140	16	1.00	0.30	25	31.8	51.6	8000	13000	0.496
71822AC	110	140	16	1.00	0.30	37	29.9	48.7	7500	12000	0.496
71824C	120	150	16	1.00	0.30	26	33.1	56.9	7000	11000	0.537
71824AC	120	150	16	1.00	0.30	39	31.1	53.7	6700	10000	0.537
71826C	130	165	18	1.10	0.60	29	38.7	67.6	6700	10000	0.782
71826AC	130	165	18	1.10	0.60	43	36.3	63.8	6000	9000	0.782
71828C	140	175	18	1.10	0.60	30	44.8	79.2	6000	9000	0.813
71828AC	140	175	18	1.10	0.60	46	42.0	74.7	5600	8500	0.813
71830C	150	190	20	1.10	0.60	33	51.2	92.0	5600	8500	1.14
71830AC	150	190	20	1.10	0.60	50	48.0	86.8	5000	7500	1.14
71832C	160	200	20	1.10	0.60	34	52.4	97.7	5000	7500	1.21
71832AC	160	200	20	1.10	0.60	52	49.2	92.2	4800	7000	1.21

High-speed angular contact ball bearings
 718 C
 Contact Angle $\alpha=15^\circ$
 718 AC
 Contact angle $\alpha=25^\circ$



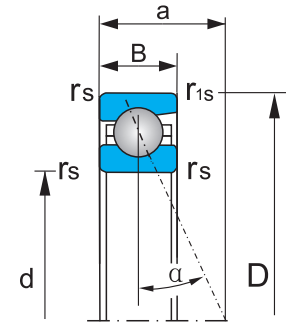
Bearing designations ZYS	Boundary dimensions						Load rating		Limiting speed		Weight kg
	d	D	B	r _{smin}	r _{1smin}	a	C _r	C _{or}	Grease	Oil	
	mm						≈	KN		r/min	
71834C	170	215	22	1.10	0.60	37	66.5	123.4	4800	7000	1.61
71834AC	170	215	22	1.10	0.60	56	62.4	116.5	4300	6300	1.61
71836C	180	225	22	1.10	0.60	38.1	71	127.8	4500	6700	1.70
71836AC	180	225	22	1.10	0.60	58.2	67	120.5	4000	6000	1.70
71838C	190	240	24	1.50	0.60	40.8	80	130.7	4300	6300	2.20
71838AC	190	240	24	1.50	0.60	62.1	75	123.3	3800	5600	2.20
71840C	200	250	24	1.50	0.60	42.1	81.5	139.2	4000	6000	2.30
71840AC	200	250	24	1.50	0.60	64.5	76.5	131.1	3600	5300	2.30
71844C	220	270	24	1.50	0.60	44.8	83	148.0	3800	5600	2.50
71844AC	220	270	24	1.50	0.60	69.1	78	139.4	3400	5000	2.50
71848C	240	300	28	2.00	1.00	50.2	106	184.5	3400	5000	3.90
71848AC	240	300	28	2.00	1.00	77.0	98	174.0	3000	4500	3.90
71852C	260	320	28	2.00	1.10	52.9	107	191.9	3200	4800	4.20
71852AC	260	320	28	2.00	1.10	81.6	100	180.5	3000	4500	4.20
71856C	280	350	33	2.00	1.10	58.7	132	235.6	3000	4500	6.20
71856AC	280	350	33	2.00	1.10	89.9	124	222.3	2600	4000	6.20
71860C	300	380	38	2.10	1.10	64.6	171	300.2	2600	4000	8.70
71860AC	300	380	38	2.10	1.10	98.3	161	285.0	2400	3800	8.70
71864C	320	400	38	2.10	1.10	67.2	175	321.1	2400	3800	9.00
71864AC	320	400	38	2.10	1.10	102.9	165	302.1	2200	3600	9.00
71868C	340	420	38	2.10	1.10	69.9	179	340.1	2200	3600	9.20
71868AC	340	420	38	2.10	1.10	107.6	169	321.1	2000	3400	9.20
71872C	360	440	38	2.10	1.10	72.6	183	359.1	2000	3400	10.30
71872AC	360	440	38	2.10	1.10	112.3	173	338.2	1800	3000	10.30

High-speed angular contact ball bearings
 719 C
 Contact angle $\alpha=15^\circ$
 719 AC
 Contact angle $\alpha=25^\circ$

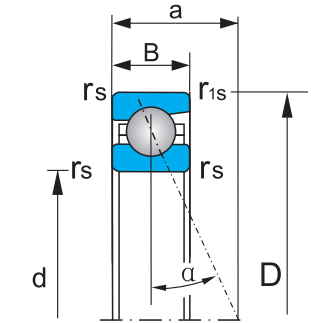


Bearing designations ZYS	Boundary dimensions						Load rating		Limiting speed		Weight kg
	d	D	B	r _{smin}	r _{1smin}	a	C _r	C _{or}	Grease	Oil	
	mm						≈	KN		r/min	
719/8 C	8	19	6	0.30	0.10	5	2.5	1.5	75000	120000	0.01
719/8 AC	8	19	6	0.30	0.10	6	2.3	1.3	67000	100000	0.01
71900 C	10	22	6	0.30	0.10	5	2.9	1.8	70000	110000	0.01
71900 AC	10	22	6	0.30	0.10	7	2.7	1.7	67000	100000	0.01
71901 C	12	24	6	0.30	0.10	5	3.2	2.2	63000	95000	0.01
71901 AC	12	24	6	0.30	0.10	7	3.1	2.1	56000	85000	0.01
71902 C	15	28	7	0.30	0.10	6	4.8	3.4	53000	80000	0.02
71902 AC	15	28	7	0.30	0.10	9	4.6	3.2	50000	75000	0.02
71903 C	17	30	7	0.30	0.10	7	5.1	3.8	50000	75000	0.02
71903 AC	17	30	7	0.30	0.10	9	4.8	3.6	45000	67000	0.02
71904 C	20	37	9	0.30	0.15	8	7.4	5.8	40000	60000	0.04
71904 AC	20	37	9	0.30	0.15	11	7.0	5.6	38000	56000	0.04
71905 C	25	42	9	0.30	0.15	9	7.6	6.5	34000	50000	0.04
71905 AC	25	42	9	0.30	0.15	12	7.2	6.2	30000	45000	0.04
71906 C	30	47	9	0.30	0.15	10	8.0	7.6	30000	45000	0.05
71906 AC	30	47	9	0.30	0.15	13	7.6	7.2	26000	40000	0.05
71907 C	35	55	10	0.60	0.15	11	11	10.9	26000	40000	0.07
71907 AC	35	55	10	0.60	0.15	16	10.4	10.3	20000	34000	0.07
71908 C	40	62	12	0.60	0.15	13	14	14.2	20000	34000	0.11
71908 AC	40	62	12	0.60	0.15	18	13.3	13.5	18000	30000	0.11
71909 C	45	68	12	0.60	0.15	14	14.7	16.1	18000	30000	0.13
71909 AC	45	68	12	0.60	0.15	19	13.9	15.2	17000	28000	0.13
71910 C	50	72	12	0.60	0.15	14	19	21.2	17000	28000	0.13
71910 AC	50	72	12	0.60	0.15	20	17.9	20.1	15000	24000	0.13
71911 C	55	80	13	1.00	0.30	16	23.7	27.4	15000	24000	0.18
71911 AC	55	80	13	1.00	0.30	22	22.4	26	14000	22000	0.18
71912 C	60	85	13	1.00	0.30	16	24.8	30.3	14000	22000	0.19
71912 AC	60	85	13	1.00	0.30	23	23.3	28.7	13000	20000	0.19
71913 C	65	90	13	1.00	0.30	17	25.1	31.9	13000	20000	0.20
71913 AC	65	90	13	1.00	0.30	25	23.6	30.2	12000	19000	0.20
71914 C	70	100	16	1.00	0.30	19	34.5	43.4	12000	19000	0.33
71914 AC	70	100	16	1.00	0.30	28	32.6	41.2	11000	18000	0.33

High-speed angular contact ball bearings
 719 C
 Contact angle $\alpha = 15^\circ$
 719 AC
 Contact angle $\alpha = 25^\circ$



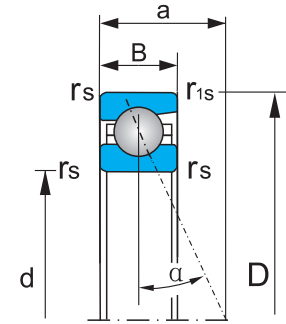
High-speed angular contact ball bearings
 719 C
 Contact angle $\alpha = 15^\circ$
 719 AC
 Contact angle $\alpha = 25^\circ$



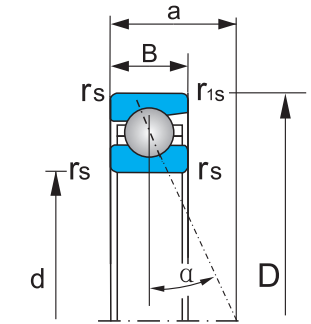
Bearing designations ZYS	Boundary dimensions						Load rating		Limiting speed		Weight kg
	d	D	B	r _{smin}	r _{smin}	a	C _r	C _{or}	Grease	Oil	
	mm						KN		r/min		
71915 C	75	105	16	1.00	0.30	20	25	45.6	11000	18000	0.35
71915 AC	75	105	16	1.00	0.30	29	33	43.2	9500	16000	0.35
71916C	80	110	16	1.00	0.30	21	35.5	47.8	10000	17000	0.37
71919AC	80	110	16	1.00	0.30	30	33.5	45.3	9000	15000	0.37
71917 C	85	120	18	1.10	0.60	23	46.5	61.9	9500	16000	0.53
71917 AC	85	120	18	1.10	0.60	33	43.8	58.6	8500	14000	0.53
71918 C	90	125	18	1.10	0.60	23	47.2	64.8	9000	15000	0.56
71918 AC	90	125	18	1.10	0.60	34	44.5	61.4	8000	13000	0.56
71919 C	95	130	18	1.10	0.60	24	47.9	67.8	9000	15000	0.58
71919 AC	95	130	18	1.10	0.60	35	45.2	64.1	8000	13000	0.58
71920 C	100	140	20	1.10	0.60	26	60.4	84.4	8500	14000	0.79
71920 AC	100	140	20	1.10	0.60	38	56.9	79.9	8000	13000	0.79
71921 C	105	145	20	1.10	0.60	27	61.4	88.2	8000	13000	0.83
71921 AC	105	145	20	1.10	0.60	39	57.8	83.5	7500	12000	0.83
71922 C	110	150	20	1.10	0.60	27	62.3	91.9	7500	12000	0.86
71922 AC	110	150	20	1.10	0.60	40	58.7	87	7000	11000	0.86
71924 C	120	165	22	1.10	0.60	30	73.7	107.6	7000	11000	1.17
71924 AC	120	165	22	1.10	0.60	44	69.5	101.9	6700	10000	1.17
71926 C	130	180	24	1.50	0.60	33	76.3	117.1	6700	10000	1.58
71926 AC	130	180	24	1.50	0.60	48	71.9	110.9	6000	9000	1.58
71928 C	140	190	24	1.50	0.60	34	78.9	126.4	6000	9000	1.68
71928 AC	140	190	24	1.50	0.60	50	74.4	119.7	5600	8500	1.68
71930 C	150	210	28	2.00	1.00	38	118.2	175.1	5600	8500	2.48
71930 AC	150	210	28	2.00	1.00	56	111.4	165.8	5000	7500	2.48
71932 C	160	220	28	2.00	1.00	39	123.6	191.2	5000	7500	2.64
71932 AC	160	220	28	2.00	1.00	58	116.5	181.1	4800	7000	2.64
71934 C	170	230	28	2.00	1.00	41	125.7	200.0	4800	7000	2.77
71934 AC	170	230	28	2.00	1.00	61	118.5	189.4	4300	6300	2.77
71936 C	180	250	33	2.00	1.00	45	159.7	249.1	4500	6700	4.10
71936 AC	180	250	33	2.00	1.00	67	150.6	235.9	4000	6000	4.10
71938 C	190	260	33	2.00	1.00	47	162.8	260.8	4300	6300	4.29
71938 AC	190	260	33	2.00	1.00	69	153.5	247.0	3800	5600	4.29

Bearing designations ZYS	Boundary dimensions						Load rating		Limiting speed		Weight kg
	d	D	B	r _{smin}	r _{smin}	a	C _r	C _{or}	Grease	Oil	
	mm						KN		r/min		
71940 C	200	280	38	2.00	1.00	51	198.4	311.4	3800	5600	6.02
71940 AC	200	280	38	2.00	1.00	75	187.1	294.9	3600	5300	6.02
71944 C	220	300	38	2.10	1.00	54	206.6	341.1	3600	5300	6.52
71944 AC	220	300	38	2.10	1.00	80	194.8	323.0	3200	4800	6.52
71948 C	240	320	38	2.10	1.00	56	219.2	384.2	3200	4800	7.07
71948 AC	240	320	38	2.10	1.00	84	206.7	363.8	3000	4500	7.07
71952 C	260	360	46	2.10	1.00	64	284.6	528.8	3000	4500	12.0
71952 AC	260	360	46	2.10	1.00	95	268.3	500.8	2600	4000	12.0
71956 C	280	380	46	2.10	1.00	67	288.7	554.6	2600	4000	12.7
71956 AC	280	380	46	2.10	1.00	100	272.2	525.5	2200	3600	12.7
71960C	300	420	56	3.00	1.10	76.2	360	570	2400	3800	20.4
71960AC	300	420	56	3.00	1.10	111.9	340	540	2200	3600	20.4
71964C	320	440	56	3.00	1.10	78.9	375	620	2200	3600	21.6
71964AC	320	440	56	3.00	1.10	116.6	355	585	2000	3400	21.6
71968C	340	460	56	3.00	1.10	81.6	380	640	2200	3600	22.7
71968AC	340	460	56	3.00	1.10	121.3	360	610	1900	3200	22.7
71972C	360	480	56	3.00	1.10	84.3	390	695	2000	3400	23.9
71972AC	360	480	56	3.00	1.10	125.9	375	640	1800	3000	23.9
71976C	380	520	65	4.00	1.50	92.8	460	810	1900	3200	34.3
71976AC	380	520	65	4.00	1.50	137.4	430	770	1700	2800	34.3
71980C	400	540	65	4.00	1.50	95.5	470	850	1800	3000	35.5
71980AC	400	540	65	4.00	1.50	142.1	440	800	1600	2600	35.5
71984C	420	560	65	4.00	1.50	98.1	480	890	1700	2800	37.6
71984AC	420	560	65	4.00	1.50	146.7	450	840	1500	2400	37.6
71988C	440	600	74	4.00	1.50	106.7	500	950	1600	2600	51.5
71988AC	440	600	74	4.00	1.50	158.2	470	900	1500	2400	51.5
71992C	460	620	74	4.00	1.50	109.3	510	1080	1500	2400	54.5
71992AC	460	620	74	4.00	1.50	162.9	490	1000	1400	2200	54.5

High-speed angular contact ball bearings
 70 C
 Contact angle $\alpha = 15^\circ$
 70 AC
 Contact angle $\alpha = 25^\circ$



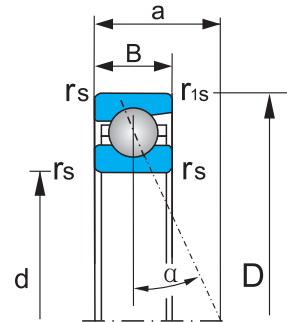
High-speed angular contact ball bearings
 70 C
 Contact angle $\alpha = 15^\circ$
 70 AC
 Contact angle $\alpha = 25^\circ$



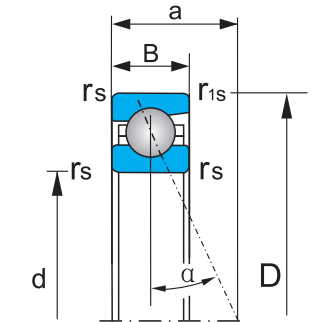
Bearing designations ZYS	Boundary dimensions						Load rating		Limiting speed		Weight kg
	d	D	B	r _{smin}	r _{1smin}	a	C _r	C _{or}	Grease	Oil	
	mm					≈	KN		r/min		
708 C	8	22	7	0.30	0.15	5.5	3.0	1.6	70000	110000	0.01
708 AC	8	22	7	0.30	0.15	7	2.8	1.5	63000	95000	0.01
7000 C	10	26	8	0.30	0.15	6	4.0	2.4	67000	100000	0.02
7000 AC	10	26	8	0.30	0.15	8	3.8	2.3	60000	90000	0.02
7001 C	12	28	8	0.30	0.15	7	5.0	3.0	60000	90000	0.02
7001 AC	12	28	8	0.30	0.15	9	4.8	2.8	56000	85000	0.02
7002 C	15	32	9	0.30	0.15	8	5.3	3.3	50000	75000	0.03
7002 AC	15	32	9	0.30	0.15	10	5.1	3.1	45000	67000	0.03
7003 C	17	35	10	0.30	0.15	8	6.7	4.9	45000	67000	0.04
7003 AC	17	35	10	0.30	0.15	11	6.4	4.7	40000	60000	0.04
7004 C	20	42	12	0.60	0.15	10	9.6	6.3	38000	56000	0.06
7004 AC	20	42	12	0.60	0.15	13	9.2	6.0	34000	50000	0.06
7005 C	25	47	12	0.60	0.15	11	12.9	8.7	34000	50000	0.07
7005 AC	25	47	12	0.60	0.15	14	12.3	8.3	30000	45000	0.07
7006 C	30	55	13	1.00	0.30	12	15.7	11.6	28000	43000	0.11
7006 AC	30	55	13	1.00	0.30	17	14.9	10.9	24000	38000	0.11
7007 C	35	62	14	1.00	0.30	13	19.3	17.5	20000	34000	0.15
7007 AC	35	62	14	1.00	0.30	18	18.3	16.6	19000	32000	0.15
7008 C	40	68	15	1.00	0.30	15	19.9	19.1	19000	32000	0.19
7008 AC	40	68	15	1.00	0.30	20	18.9	18.2	17000	28000	0.19
7009 C	45	75	16	1.00	0.30	16	26.7	25.3	17000	28000	0.23
7009 AC	45	75	16	1.00	0.30	22	25.4	24.1	16000	26000	0.23
7010 C	50	80	16	1.00	0.30	17	27.6	27.5	16000	26000	0.25
7010 AC	50	80	16	1.00	0.30	23	26.2	26.2	15000	24000	0.25
7011 C	55	90	18	1.10	0.60	19	36.7	37.1	14000	22000	0.37
7011 AC	55	90	18	1.10	0.60	26	34.8	35.3	13000	20000	0.37
7012 C	60	95	18	1.10	0.60	19	37.8	40	14000	22000	0.39
7012 AC	60	95	18	1.10	0.60	27	35.8	38	12000	19000	0.39

Bearing designations ZYS	Boundary dimensions						Load rating		Limiting speed		Weight kg
	d	D	B	r _{smin}	r _{1smin}	a	C _r	C _{or}	Grease	Oil	
	mm					≈	KN		r/min		
7013 C	65	100	18	1.10	0.60	20	38.9	42.9	13000	20000	0.42
7013 AC	65	100	18	1.10	0.60	28	36.8	40.7	11000	18000	0.42
7014 C	70	110	20	1.10	0.60	22	49.9	55.5	12000	19000	0.59
7014 AC	70	110	20	1.10	0.60	31	47.2	52.7	10000	17000	0.59
7015 C	75	115	20	1.10	0.60	23	51.3	59.2	11000	18000	0.62
7015 AC	75	115	20	1.10	0.60	32	48.5	56.2	9500	16000	0.62
7016 C	80	125	22	1.10	0.60	25	61.6	70.4	10000	17000	0.83
7016 AC	80	125	22	1.10	0.60	35	58.3	66.9	9000	15000	0.83
7017 C	85	130	22	1.10	0.60	25	63.3	75	9500	16000	0.87
7017 AC	85	130	22	1.10	0.60	36	59.9	71.3	8500	14000	0.87
7018 C	90	140	24	1.50	0.60	27	66.9	84	9000	15000	1.18
7018 AC	90	140	24	1.50	0.60	39	63.2	79.7	8000	13000	1.18
7019 C	95	145	24	1.50	0.60	28	79.1	97.6	8500	14000	1.20
7019 AC	95	145	24	1.50	0.60	40	74.8	92.7	7500	12000	1.20
7020 C	100	150	24	1.50	0.60	29	81.2	103.3	8000	13000	1.25
7020 AC	100	150	24	1.50	0.60	41	76.7	98	7000	11000	1.25
7021 C	105	160	26	2.00	1.00	31	93.9	118.2	7500	12000	1.58
7021 AC	105	160	26	2.00	1.00	44	88.8	112.2	7000	11000	1.58
7022 C	110	170	28	2.00	1.00	33	110.4	139.8	7000	11000	1.97
7022 AC	110	170	28	2.00	1.00	47	104.4	132.8	6700	10000	1.97
7024 C	120	180	28	2.00	1.00	34	112.7	148.7	7000	11000	2.11
7024 AC	120	180	28	2.00	1.00	49	106.5	141.1	6700	10000	2.11
7026 C	130	200	33	2.00	1.00	39	144.8	190.8	6700	10000	3.18
7026 AC	130	200	33	2.00	1.00	55	136.8	181.0	6000	9000	3.18
7028 C	140	210	33	2.00	1.00	40	148.7	202.6	6000	9000	3.37
7028 AC	140	210	33	2.00	1.00	57	140.4	192.2	5600	8500	3.37
7030 C	150	225	35	2.10	1.10	43	168.4	232.5	5600	8500	4.10
7030 AC	150	225	35	2.10	1.10	61	159.1	220.6	5000	7500	4.10

High-speed angular contact ball bearings
 70 C
 Contact angle $\alpha = 15^\circ$
 70 AC
 Contact angle $\alpha = 25^\circ$



High-speed angular contact ball bearings
 72 C
 Contact angle $\alpha = 15^\circ$
 72 AC
 Contact angle $\alpha = 25^\circ$



Bearing designations ZYS	Boundary dimensions						Load rating		Limiting speed		Weight kg \approx
	d	D	B	r _{smin}	r _{1smin}	a	C _r	C _{or}	Grease	Oil	
	mm					\approx	KN		r/min		
7032 C	160	240	38	2.10	1.10	46	189.1	264.5	5000	7500	5.07
7032 AC	160	240	38	2.10	1.10	66	178.6	251.0	4800	7000	5.07
7034 C	170	260	42	2.10	1.10	50	205.6	299.3	4800	7000	6.90
7034 AC	170	260	42	2.10	1.10	71	194.2	284.0	4300	6300	6.90
7036 C	180	280	46	2.10	1.10	54	229.5	352.1	4500	6700	9.21
7036 AC	180	280	46	2.10	1.10	77	216.8	334.1	4000	6000	9.21
7038 C	190	290	46	2.10	1.10	55	235.1	370.8	4300	6300	9.61
7038 AC	190	290	46	2.10	1.10	79	222.1	351.8	3800	5600	9.61
7040 C	200	310	51	2.10	1.10	60	289.1	471.4	3800	5600	12.1
7040 AC	200	310	51	2.10	1.10	85	273.1	447.3	3600	5300	12.1
7044 C	220	340	56	3.00	1.10	66	325.3	559.4	3600	5300	15.9
7044 AC	220	340	56	3.00	1.10	93	307.3	530.8	3200	4800	15.9
7048 C	240	360	56	3.00	1.10	68	344.2	623.6	3200	4800	17.0
7048 AC	240	360	56	3.00	1.10	98	325.1	591.7	3000	4500	17.0

Bearing designations ZYS	Boundary dimensions						Load rating		Limiting speed		Weight kg \approx
	d	D	B	r _{smin}	r _{1smin}	a	C _r	C _{or}	Grease	Oil	
	mm					\approx	KN		r/min		
728 C	8	24	8	0.30	0.15	6	4.5	2.3	67000	100000	0.02
728 AC	8	24	8	0.30	0.15	8	4.4	2.2	60000	90000	0.02
7200 C	10	30	9	0.60	0.15	7	6.5	3.8	56000	85000	0.03
7200 AC	10	30	9	0.60	0.15	9	6.3	3.7	53000	80000	0.03
7201 C	12	32	10	0.60	0.15	8	7.2	4.5	53000	80000	0.04
7201 AC	12	32	10	0.60	0.15	10	6.9	4.3	48000	70000	0.04
7202 C	15	35	11	0.60	0.15	9	9.1	5.8	48000	70000	0.05
7202 AC	15	35	11	0.60	0.15	11	8.8	5.6	43000	63000	0.05
7203 C	17	40	12	0.60	0.30	10	11.3	7.4	40000	60000	0.07
7203 AC	17	40	12	0.60	0.30	13	10.9	7.1	38000	56000	0.07
7204 C	20	47	14	1.00	0.30	12	13.1	9.6	34000	50000	0.11
7204 AC	20	47	14	1.00	0.30	15	12.6	9.2	30000	45000	0.11
7205 C	25	52	15	1.00	0.30	13	16.8	13.1	30000	45000	0.14
7205 AC	25	52	15	1.00	0.30	16	16.1	12.5	26000	40000	0.14
7206 C	30	62	16	1.00	0.30	14	23.4	18.8	24000	38000	0.21
7206 AC	30	62	16	1.00	0.30	19	22.3	18.0	20000	34000	0.21
7207 C	35	72	17	1.10	0.60	16	25.8	22.9	18000	30000	0.31
7207 AC	35	72	17	1.10	0.60	21	24.5	21.9	17000	28000	0.31
7208 C	40	80	18	1.10	0.60	17	34.1	30.9	17000	28000	0.40
7208 AC	40	80	18	1.10	0.60	23	32.5	29.5	15000	24000	0.40
7209 C	45	85	19	1.10	0.60	18	35.5	33.8	16000	26000	0.45
7209 AC	45	85	19	1.10	0.60	25	33.8	32.3	14000	22000	0.45
7210 C	50	90	20	1.10	0.60	19	43.3	40.6	15000	24000	0.49
7210 AC	50	90	20	1.10	0.60	26	41.3	38.7	14000	22000	0.49
7211 C	55	100	21	1.50	0.60	21	53.6	51.1	14000	22000	0.65
7211 AC	55	100	21	1.50	0.60	29	51.1	48.8	13000	20000	0.65
7212 C	60	110	22	1.50	0.60	22	55.8	56.2	12000	19000	0.86
7212 AC	60	110	22	1.50	0.60	31	53.0	53.5	11000	18000	0.86

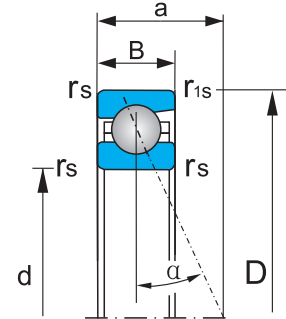
High-speed angular contact ball bearings

72 C

Contact angle $\alpha = 15^\circ$

72 AC

Contact angle $\alpha = 25^\circ$



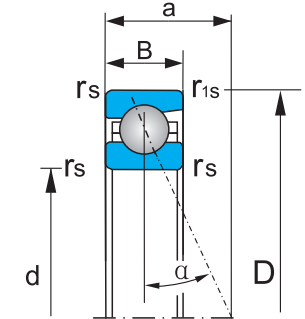
High-speed angular contact ball bearings

72 C

Contact angle $\alpha = 15^\circ$

72 AC

Contact angle $\alpha = 25^\circ$



Bearing designations ZYS	Boundary dimensions						Load rating		Limiting speed		Weight kg ≈
	d	D	B	r _{smin}	r _{1smin}	a	C _r	C _{or}	Grease	Oil	
	mm					≈	KN		r/min		
7213 C	65	120	23	1.50	0.60	24	67.5	69.0	11000	18000	1.08
7213 AC	65	120	23	1.50	0.60	33	64.2	65.8	9500	16000	1.08
7214 C	70	125	24	1.50	0.60	25	70.2	74.6	10000	17000	1.19
7214 AC	70	125	24	1.50	0.60	35	66.6	71.1	9000	15000	1.19
7215 C	75	130	25	1.50	0.60	26	72.7	80.2	9500	16000	1.29
7215 AC	75	130	25	1.50	0.60	36	68.9	76.3	8500	14000	1.29
7216 C	80	140	26	2.00	1.00	28	86.5	96.5	9000	15000	1.58
7216 AC	80	140	26	2.00	1.00	39	82.1	91.9	8000	13000	1.58
7217 C	85	150	28	2.00	1.00	30	97.4	107.5	8500	14000	1.96
7217 AC	85	150	28	2.00	1.00	42	92.5	102.4	7500	12000	1.96
7218 C	90	160	30	2.00	1.00	32	121.9	131.3	8000	13000	2.44
7218 AC	90	160	30	2.00	1.00	44	115.8	124.6	7000	11000	2.44
7219 C	95	170	32	2.10	1.10	34	128.9	145.1	7500	12000	2.93
7219 AC	95	170	32	2.10	1.10	47	122.5	138.3	6700	10000	2.93
7220 C	100	180	34	2.10	1.10	36	146.2	165.9	7000	11000	3.51
7220 AC	100	180	34	2.10	1.10	50	138.9	158.2	6700	10000	3.51
7221 C	105	190	36	2.10	1.10	38	164.3	188.2	7000	11000	4.17
7221 AC	105	190	36	2.10	1.10	52	156.3	179.5	6300	9500	4.17
7222 C	110	200	38	2.10	1.10	40	170.4	202.5	6700	10000	4.95
7222 AC	110	200	38	2.10	1.10	55	161.8	193.0	6000	9000	4.95
7224 C	120	215	40	2.10	1.10	42	175.4	218.4	6000	9000	6.01
7224 AC	120	215	40	2.10	1.10	59	166.3	207.9	5300	8000	6.01
7226 C	130	230	40	3.00	1.10	44	200.6	258.3	5600	8500	6.41
7226 AC	130	230	40	3.00	1.10	62	190.4	246.2	5000	7500	6.41
7228 C	140	250	42	3.00	1.10	47	223.6	306.6	5000	7500	8.17
7228 AC	140	250	42	3.00	1.10	66	212.3	292.2	4500	6700	8.17
7230 C	150	270	45	3.00	1.10	51	240.9	341.5	4500	6700	10.38
7230 AC	150	270	45	3.00	1.10	71	228.7	325.5	4000	6000	10.38

Bearing designations ZYS	Boundary dimensions						Load rating		Limiting speed		Weight kg ≈
	d	D	B	r _{smin}	r _{1smin}	a	C _r	C _{or}	Grease	Oil	
	mm					≈	KN		r/min		
7232 C	160	290	48	3.00	1.10	54	248.6	365.8	4300	6300	13.10
7232 AC	160	290	48	3.00	1.10	76	236.1	348.6	3800	5600	13.10
7234 C	170	310	52	4.00	1.50	58	300.2	459.2	3800	5600	15.93
7234 AC	170	310	52	4.00	1.50	82	285.0	437.6	3600	5300	15.93
7236 C	180	320	52	4.00	1.50	59	311.2	490.8	3800	5600	16.61
7236 AC	180	320	52	4.00	1.50	84	295.5	467.7	3400	5000	16.61
7238 C	190	340	55	4.00	1.50	63	321.3	524.8	3400	5000	20.29
7238 AC	190	340	55	4.00	1.50	89	305.1	500.1	3200	4800	20.29
7240 C	200	360	58	4.00	1.50	67	330.9	558.6	3200	4800	24.49
7240 AC	200	360	58	4.00	1.50	94	314.2	532.3	3000	4500	24.49
7244 C	220	400	65	4.00	1.50	74	405.9	730.5	2800	4300	33.93
7244 AC	220	400	65	4.00	1.50	105	385.4	696.2	2600	4000	33.93